

ACCURA VALVES PVT. LTD.

AN IATF 16949 : 2016 COMPANY



Core Chamber
With Counter

8V1 External
($\phi 7.7$ x ...)

5V1 Internal
($\phi 5.2$ x ...)

-0.0

0 ± 2

6.0

-0.0

.3

9.1 ± 0.5





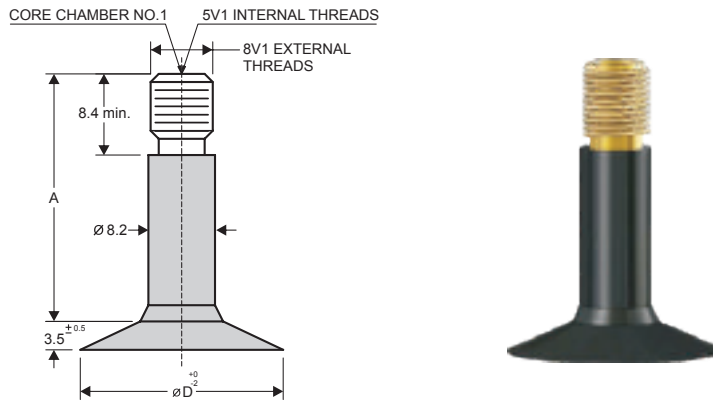
INDEX

Index	02
Bicycle Valves	03
Motor Cycle Valves	04
Scooter Valves	05
Scooter & Industrial Vehicle Valves	06
Scooter & industrial Vehicle Valves	07
Industrial Vehicle Valves	08
Passenger Car Valves	09
Passenger Car Valves	10
Passenger Car valves - Tubeless	11
Truck Valves - Single Bent	12
Truck Valves - Double Bent	13
Truck Valves - Ø95 Series	14
Truck Valves - TR 440 Series	15
Truck Valves - Screw-on Repair	16
Screw-on Universal Single Bent Valves (Truck, Bus and Trailer)	17
Screw-on Universal Double Bent Valves (Truck, Bus and Trailer)	18
Screw-on Universal Triple Bent Valves (Truck, Bus and Trailer)	19
Valve Spud for Screw-on Universal Valves (Truck, Bus and Trailer)	20
Tubeless Clamp-in Valve (Truck and Bus)	21
Tubeless Clamp-in Valve (O Ring Type Round Base - Truck and Bus)	22
Tractor Valves	23
Tractor Valves - Tubeless Clamp-in	24
Curing Bag Valves	25
Curing Bag Valves and Adaptor	26
OTR Valves	27
OTR Valves	28
OTR Valves	29
OTR Valves	30
Kolos Valves	31
Valve Cores - Standard Bore	32
Valve Core Tighteners	33
Valve Caps - Standard Bore	34
Valve Caps - Large Bore	35
Bridge Washers and O Rings	36
Ring Washers	37
Hex Nuts and Rim Nuts	38
Rubber Grommets and Nuts	39
Precision Turned Components	40
Valve Accessories	41
Valve Accessories	42



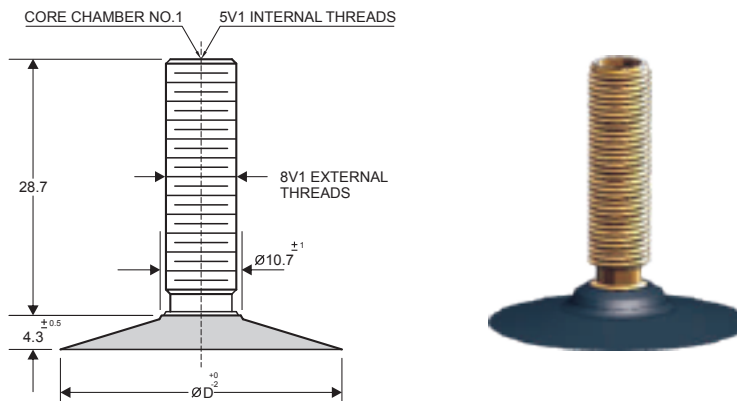
ACCURA VALVES

BICYCLE VALVES



RUBBER COVERED TUBE VALVES - BICYCLE

VALVE CODE				ACCESSORIES TR NO.	
ACCURA	A	D	TR NO.	CORE	CAP
AR 25	31.5	25	1	C 1 SHORT	VC 2
AR 28		28			VC 3
AR 32		32			VC 8



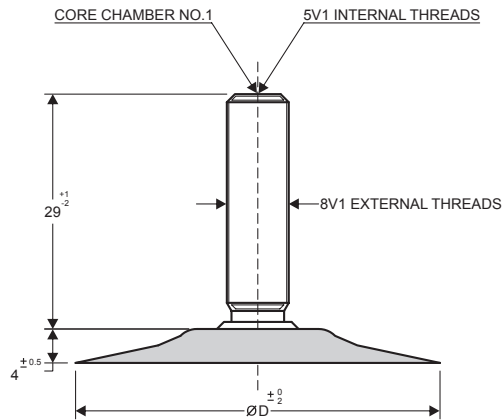
RUBBER BASE TUBE VALVES - MOPED

VALVE CODE			ACCESSORIES TR NO.		RIM NUT
ACCURA	IS	ØD	CORE	CAP	
4116 M	A 29 1 32	32	C 1 SHORT	VC 2	252
	A 29 1 25	25		VC 3	
				VC 8	



ACCURA VALVES

MOTORCYCLE VALVES



Brass Finish Stem



Nickel Plated Stem

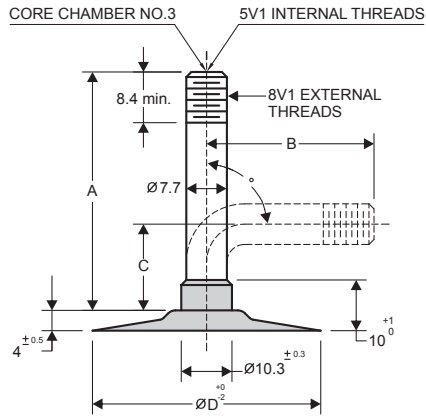
RUBBER BASE TUBE VALVES - MOTOR CYCLE

VALVE CODE				ACCESSORIES TR NO.				RIM NUT
ACCURA	IS	ETRTO	ØD	CORE	CAP	RING WASHER	LOCK NUT	
TR 29	A 29 1 45	V1.09.2	45	C 1 SHORT	VC 2	RW 12	BN 1	252
TR 4		V1.09.1			VC 3			



ACCURA VALVES

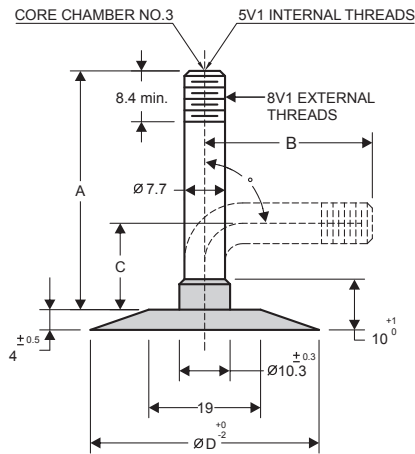
SCOOTER VALVES



RUBBER BASE TUBE VALVES - SCOOTER (BS)

VALVE CODE				⁺¹ A ⁻²	B	⁺⁰ C ⁻²	⁰ ± 2	ACCESSORIES TR NO.	
ACCURA	IS	ETRTO	ØD					CORE	CAP
V1.08.1 (BS)	A 47 2 45	V1.08.1	45	47	33	17	90	C 1 SHORT	VC 2
V1.08.3 (BS)	A 40 2 45	V1.08.3	45	40	25	15	55		VC 3
									VC 8

SUPPLIED IN STRAIGHT FORM



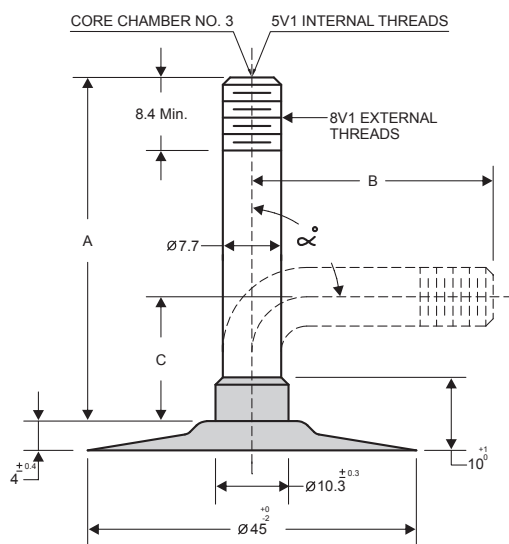
RUBBER BASE TUBE VALVES - SCOOTER (SS)

VALVE CODE				⁺¹ A ⁻²	B	⁺⁰ C ⁻²	⁰ ± 2	ACCESSORIES TR NO.	
ACCURA	IS	ETRTO	ØD					CORE	CAP
V1.08.1 (SS)	A 47 2 45	V1.08.1	45	47	33	17	90	C 1 SHORT	VC 2
V1.08.3 (SS)	A 40 2 45	V1.08.3	45	40	25	15	55		VC 3
									VC 8

SUPPLIED IN STRAIGHT FORM

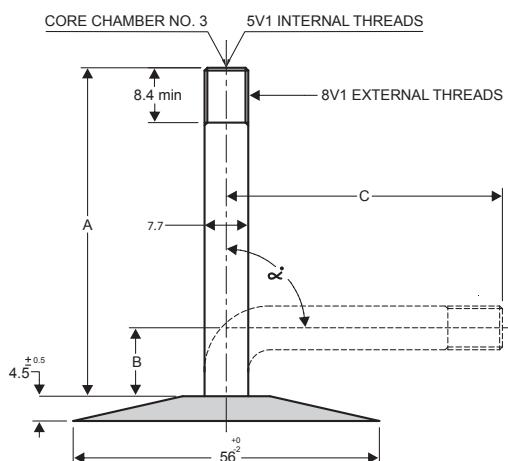


SCOOTER & INDUSTRIAL VEHICLE VALVES



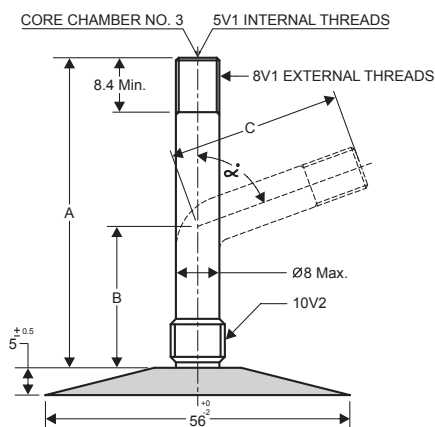
VALVE CODE			$\begin{matrix} +1 \\ -2 \\ A \end{matrix}$	$B^{\pm 1}$	$C^{\pm 1}$	$\circ \pm 2$	ACCESSORIES TR NO.	
ACCURA	IS	JATMA					CORE	CAP
TR8701	A 47 2 45	V1.08.1	47	33	17	90	C 1 SHORT	VC 8
TR8703	A 40 2 45	V1.08.3	40	25	15	55		
TR87	-	-	44	33	15	90		
-	-	JS87	44	30	15	90		
-	-	JS87C	52.5	33	19.5	90		

JS 89 SERIES



VALVE CODE			$\begin{matrix} +1 \\ -2 \end{matrix}$ A	± 1 B	± 1 C	$\circ \pm 2$	ACCESSORIES TR NO.	
ACCURA	IS	JATMA					CORE	CAP
JS89	-	JS89	63.5	12.5	51	90	C 1 SHORT	VC 8
JS185	-	JS185	73	12.5	60.5	90		
JS244A	-	JS244A	55	22	33	90		

JS 2 SERIES

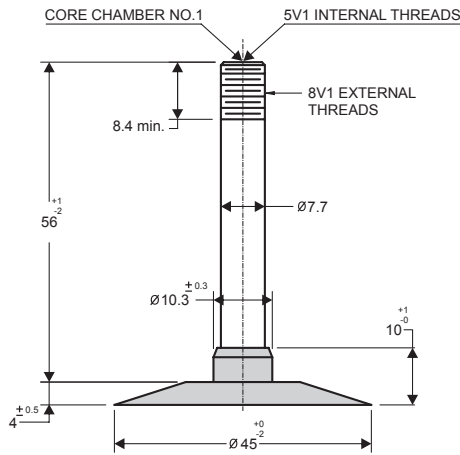


VALVE CODE			$\begin{matrix} +1 \\ -2 \end{matrix}$ A	± 1 B	± 1 C	$\circ \pm 2$	ACCESSORIES TR NO.			
ACCURA	IS	JATMA					CORE	CAP	NUT	WASHER
JS2	-	JS2	57	26	31	70	C 1 SHORT	VC 8	HN 2	RW 3
TR244A	-	JS224A	59	26	33	90				

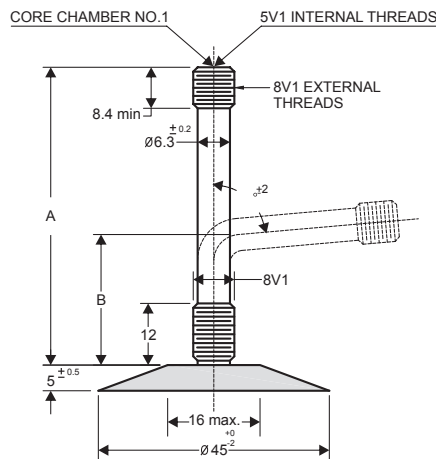


INDUSTRIAL VEHICLE VALVES

RUBER BASE VALVES – INDUSTRIAL VEHICLE



VALVE CODE	ACCESSORIES -TR NO.	
ACCURA	CORE	CAP
AV 45 56	C 1 SHORT	VC 2 VC 3 VC 8

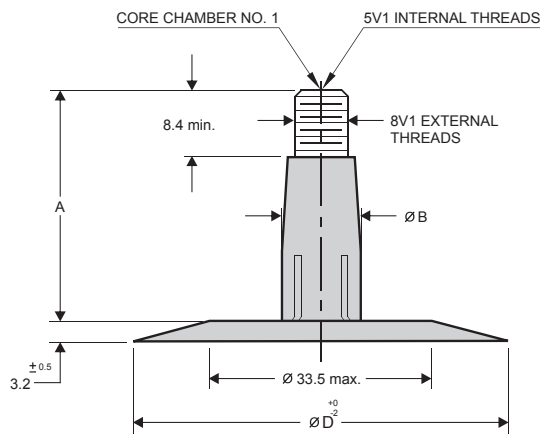


VALVE CODE		$\begin{matrix} +1 \\ -2 \end{matrix}$	$\begin{matrix} +0 \\ -2 \end{matrix}$	$\begin{matrix} \circ \\ \pm 2 \end{matrix}$	ACCESSORIES TR NO.		
ACCURA	ETRTO NO.	A	B		CORE	CAP	LOCK NUT
V6.02.1	V6.02.1	41.5	23	70	C 1 SHORT	VC 2 VC 3 VC 8	LN 3
V6.02.2	V6.02.2	36	25	85			



ACCURA VALVES

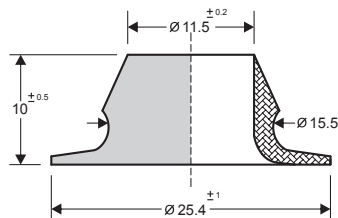
PASSENGER CARS VALVES



RUBBER COVERED TUBE VALVES - PASSENGER CAR / VAN

VALVE CODE			$\begin{matrix} +1 \\ -2 \end{matrix}$ A	± 0.3 ØB	ØD	ACCESSORIES TR NO.	
ACCURA	IS	ETRTO				CORE	CAP
TR 13	B 35 3 57	V2.01.1	35	11.7	57	C 1 SHORT	VC 2
TR 14	B 35 4 57	-	35	13.1	57		VC 3
TR 15	B 35 5 57	V2.01.2	35	16.5	57		VC 8

PLASTIC BUSHING TR B6

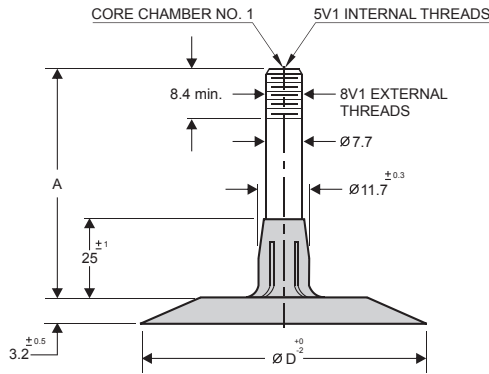


PLASTIC BUSHING TO CONVERT TR 13 VALVE INTO TR 15 VALVE



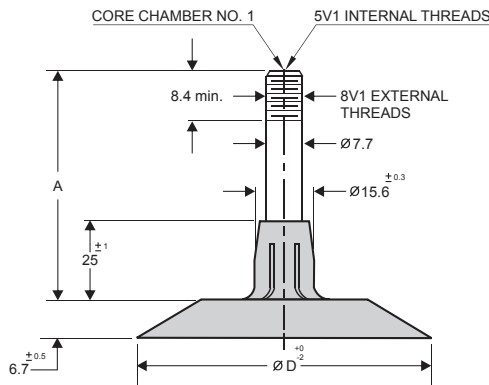
ACCURA VALVES

PASSENGER CARS VALVES



RUBBER COVERED TUBE VALVES - PASSENGER CAR

VALVE CODE				ACCESSORIES TR NO.	
ACCURA	IS	$\varnothing D^{+0/-2}$	$A^{+1/-2}$	CORE	CAP
B 57 3 57	B 57 3 57	57	57	C 1 SHORT	VC 2
B 46 3 57	B 46 3 57	57	46		VC 3
					VC 8

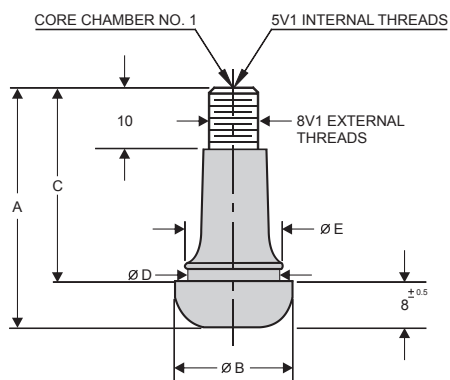


RUBBER COVERED TUBE VALVES - PASSENGER CAR

VALVE CODE				ACCESSORIES TR NO.	
ACCURA	IS	$\varnothing D^{+0/-2}$	$A^{+1/-2}$	CORE	CAP
TR 300	-	70	58	C 1 SHORT	VC 2
TR 300 (RADIAL)	-	70	58		VC 3
					VC 8




PASSENGER CARS VALVES TUBELESS



With Chrome Sleeve & Metal Cap

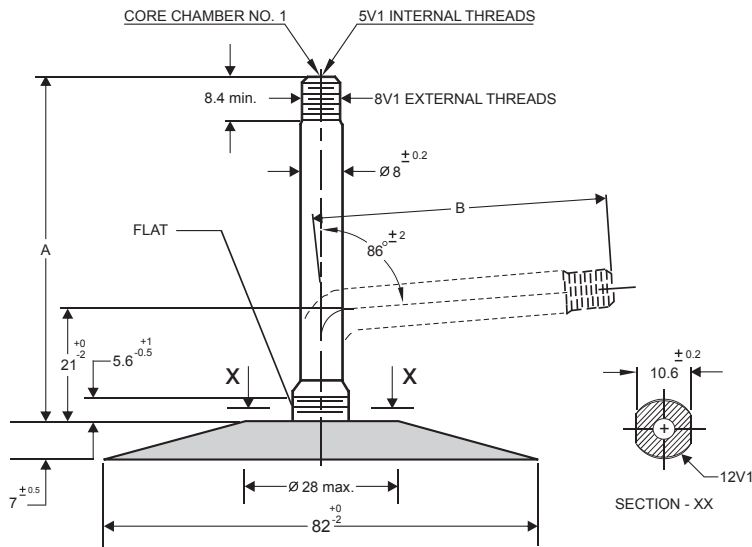
RUBBER COVERED TUBELESS SNAP-IN VALVES - PASSENGER CAR

VALVE CODE			⁺¹ ₋₂ A	^{±0.5} ØB	⁺¹ ₋₂ C	^{±0.3} ØD	^{+0.5} ₀ ØE	ACCESSORIES TR - CODE	
TR NO	IS	ETRTO						CORE	CAP
TR 412	F 25 3 19	V2.03.6	33.0	19.5	25.5	15.0min	16.0	C1 SHORT	VC 8
TR 413	F 35 3 19	V2.03.1	42.5	19.5	35.0	15.0	16.0		
TR 414	F 41 3 19	V2.03.2	48.5	19.5	41.0	15.0	16.0		
TR 418	F 54 3 19	V2.03.4	61.5	19.5	54.0	15.0min	16.0		
TR 423	F 67 3 19	-	74.0	19.5	66.5	15.0min	16.0		
TR 438	F 35 1 16	V2.03.10	42.0	16.0	35.0	12.3min	13.2		
TR 415	F 35 5 24	V2.03.3	42.5	24.0	35.0	19.2min	20.2		
TR 425	F 54 5 24	-	61.5	24.0	54.0	19.2min	20.2		
TR 414L	F 49 3 19	V2.03.8	56.5	19.5	49.0	15.0min	16.0		
TR 412 VALVES ACCOMMODATES SHORT CORE ONLY									
	TUBELESS CLAMP - IN VALVE MOTORCYCLE - JS 430								
	JATMA/ ACCURA	TOTAL LENGTH	RUBBER GROMMET	RING WASHER	HEX NUT	CORE	CAP		
JS 430	42.5	JS G 31	TR RW 12	BN1	C1 SHORT	VC 2 VC 3 VC 8			



ACCURA VALVES

TRUCK VALVES



RUBBER BASE SINGLE BENT TUBE VALVES - TRUCK, BUS AND TRAILER

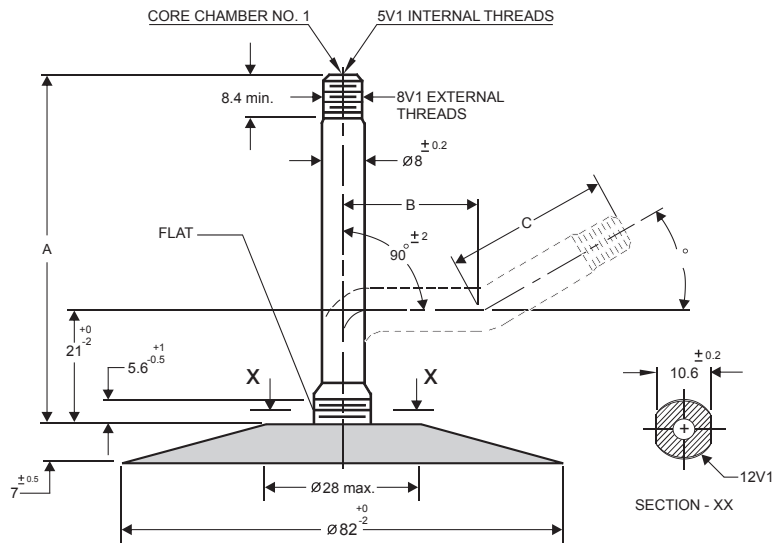
VALVE CODE			$\begin{matrix} +1 \\ -2 \\ A \end{matrix}$	$\begin{matrix} \pm 4 \\ B \end{matrix}$	ACCESSORIES TR - CODE	
ACCURA	IS	ETRTO			CORE	CAP
TR 227	A 65 5 82	V3.09.11	65	48	C1 SHORT	VC 2 VC 3 VC 8
TR 274 A	A 83 5 82	V3.09.12	83	66		
TR 75 A	A 97 5 82	V3.09.13	97	80		
TR 76 A	A A6 5 82	V3.09.14	106	89		
-	A B1 5 82	-	111	94		
TR 177 A	A B4 5 82	V3.09.15	114	97		
TR 77 A	A C3 5 82	V3.09.16	123	106		
TR 175 A	A D4 5 82	V3.09.17	134	117		
TR 78 A	A E7 5 82	V3.09.18	147	130		
TR 179 A	A G0 5 82	V3.09.20	160	143		

SUPPLIED IN STRAIGHT FORM



ACCURA VALVES

TRUCK VALVES



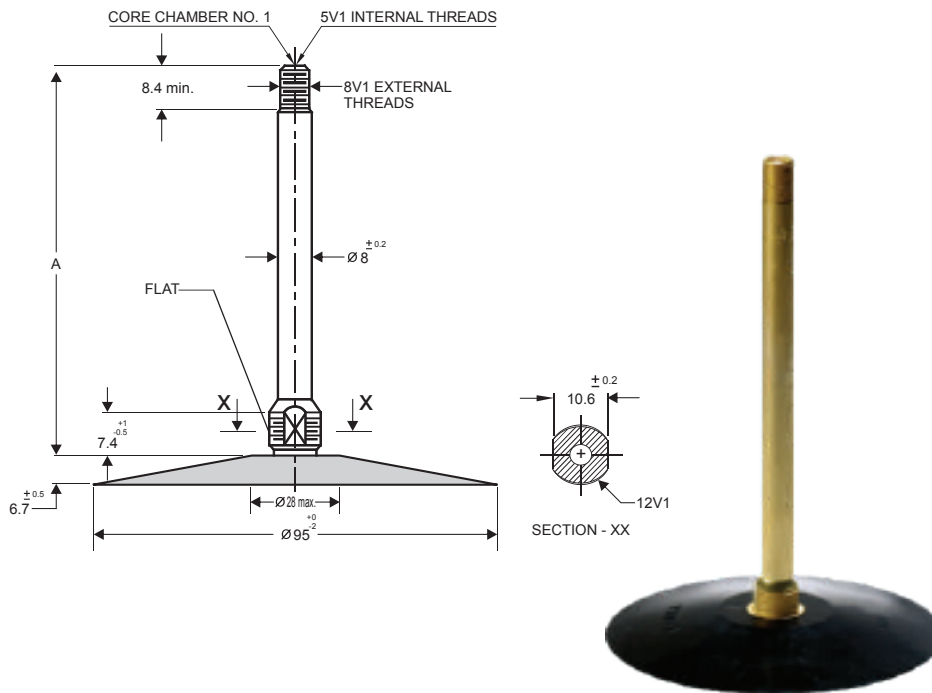
RUBBER BASE DOUBLE BENT TUBE VALVES-TRUCK, BUS AND TRAILER

VALVE CODE			⁺¹ / ₋₂ A	^{±4} B	^{±4} C	^{° ±2}	ACCESSORIES TR - CODE	
ACCURA	IS	ETRTO					CORE	CAP
TR 75 A	A 97 5 82	V3.09.13	97	35	48	31°	C1 SHORT C 1 LONG	VC 2
TR 76 A	A A6 5 82	V3.09.14	106	40	51	31°		VC 3
TR 177 A	A B4 5 82	V3.09.15	114	46	54	26°		VC 8
TR 78 A	A E7 5 82	V3.09.18	147	63	70	21°		
TR 179 A	A G0 5 82	V3.09.20	160	75	70	21°		

SUPPLIED IN STRAIGHT FORM



TRUCK VALVES



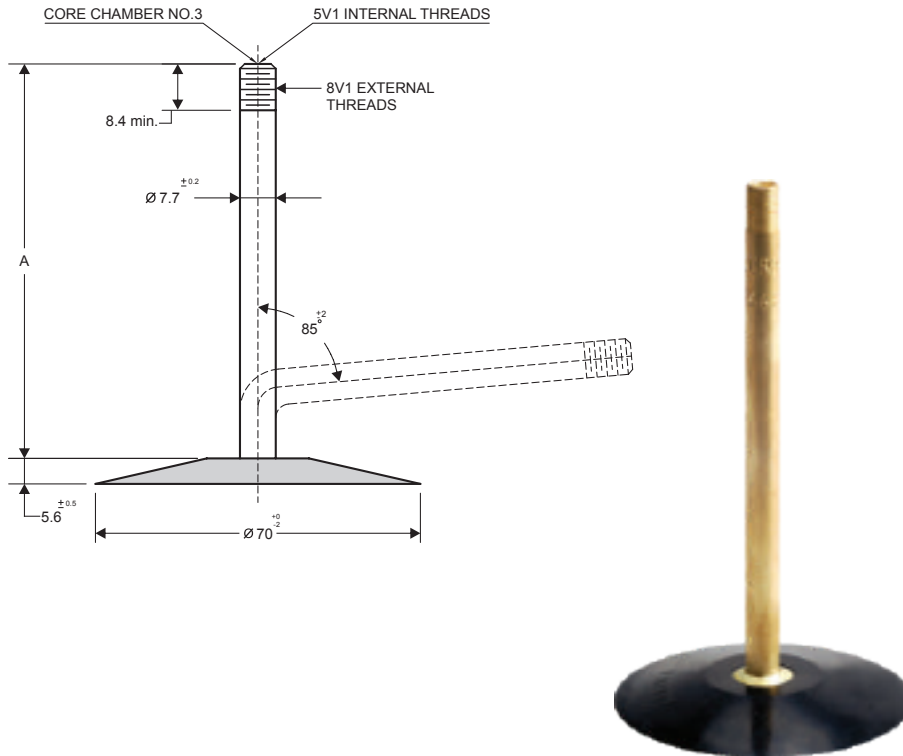
RUBBER BASE TUBE VALVES-TRUCK, BUS AND TRAILER ($\varnothing 95$ SERIES)

VALVE CODE	$\begin{matrix} +1 \\ -2 \\ A \end{matrix}$	ACCESSORIES TR - CODE				
		CORE	CAP	BRIDGE WASHER	RING WASHER	HEX NUT
JS 75 ($\varnothing 95$)	89.5	C1 SHORT				
TR 75 A ($\varnothing 95$)	95					
TR 76 A ($\varnothing 95$)	104.5		VC 2	BW 1		
TR 77 A ($\varnothing 95$)	124		VC 3	BW 2	RW 3	HN 1
TR 78 A ($\varnothing 95$)	146		VC 8	BW 3		
TR 175 A ($\varnothing 95$)	134					
TR 177 A ($\varnothing 95$)	114					



ACCURA VALVES

TRUCK VALVES



RUBBER BASE TUBE VALVES-TRUCK, BUS AND TRAILER (TR 440 SERIES)

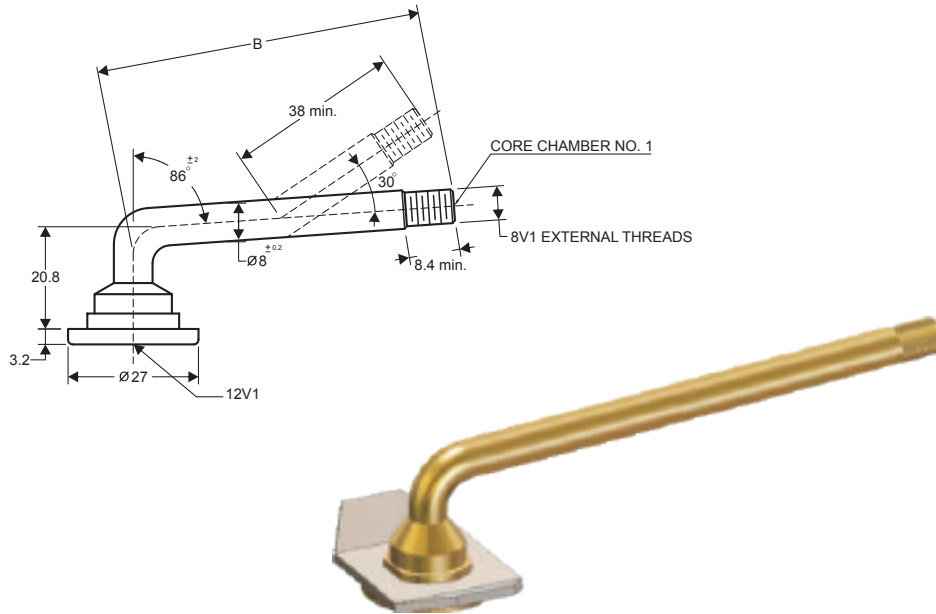
VALVE CODE		A ⁺¹ ₋₂	ACCESSORIES TR NO.	
ACCURA	TR NO		CORE	CAP
TR 440	440	85	C1 SHORT	VC 2 VC 3 VC 8
TR 441	441	105		
TR 442	442	115		
TR 443	443	125		
TR 444	444	140		
TR 445	445	155		

SUPPLIED IN STRAIGHT FORM



ACCURA VALVES

TRUCK VALVES



SCREW-ON REPAIR VALVES - TRUCK AND BUS

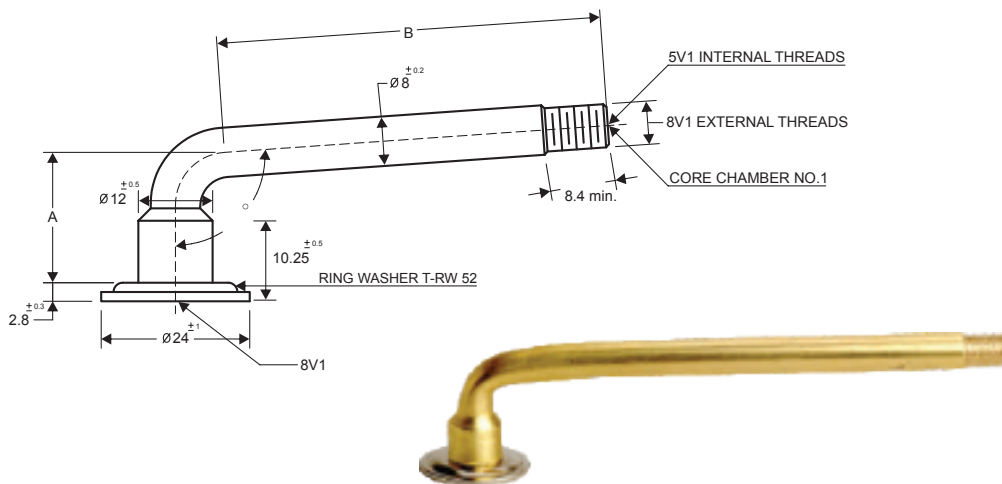
VALVE CODE		B	ACCESSORIES TR NO.	
ACCURA	TR NO		CORE	CAP
TR 1227 A	1227 A	50	C1 SHORT	VC 2 VC 3 VC 8
TR 1274 A	1274 A	60		
TR 1075 A	1075 A	76		
TR 1076 A	1076 A	86		
TR 1177 A	1177 A	94		
TR 1077 A	1077 A	104		
TR 1175 A	1175 A	114		
TR 1078 A	1078 A	127		
TR 1179 A	1179 A	142		

SUPPLIED IN BENT FORM AS SHOWN, AVAILABLE WITH OR WITHOUT BRIDGE WASHER STAKED - ON (BRIDGE WASHER - BW2R)



SCREW-ON UNIVERSAL SINGLE BENT VALVES

TRUCK, BUS AND TRAILER

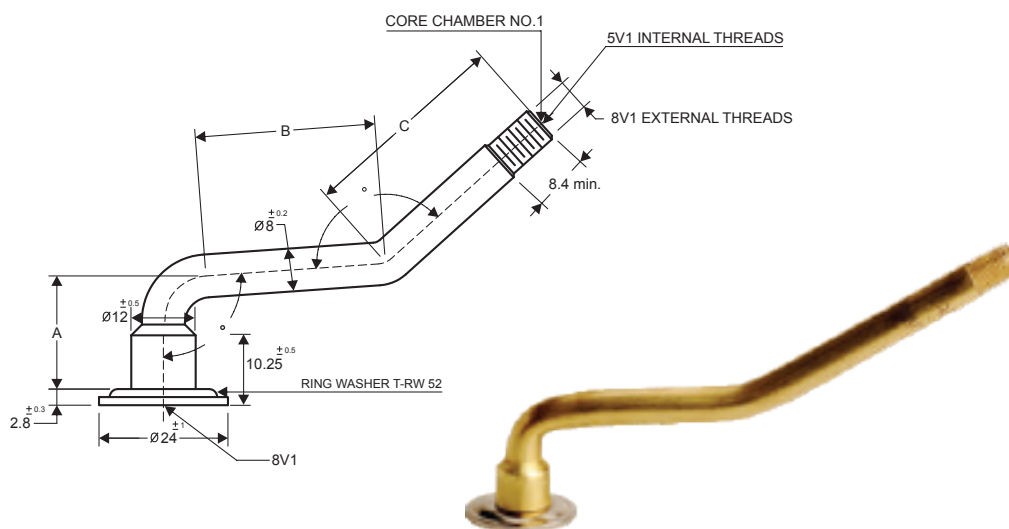


VALVE CODE		A	B		FITS ON	ACCESSORIES TR NO.	
ACCURA	ETRTO					SPUD	CORE
V3.02.1	V3.02.1	25.5	41.5	120	V3.08.2 V3.08.3 V3.08.4	C1 SHORT	VC 2 VC 3 VC 8
V3.02.2	V3.02.2	22.5	43	120			
V3.02.3	V3.02.3	33	44.5	95			
V3.02.4	V3.02.4	39.5	44.5	110			
V3.02.5	V3.02.5	20.5	47.5	90			
V3.02.6	V3.02.6	23.5	60.5	110			
V3.02.7	V3.02.7	22.5	71.5	100			
V3.02.8	V3.02.8	20.5	89.5	94			
V3.02.9	V3.02.9	20.5	99.5	94			
V3.02.10	V3.02.10	20.5	115	94			
V3.02.11	V3.02.11	20	126	98			
V3.02.12	V3.02.12	20.5	132	94			
V3.02.13	V3.02.13	20.5	133.5	90			
V3.02.14	V3.02.14	20.5	138.5	94			
V3.02.15	V3.02.15	20.5	145.5	94			
V3.02.16	V3.02.16	20.5	149.5	90			
V3.02.17	V3.02.17	20.5	156.5	90			
V3.02.18	V3.02.18	22.5	74.5	90			
V3.02.19	V3.02.19	20.5	60	94			
V3.02.20	V3.02.20	22.5	56.4	95			
V3.02.22	V3.02.22	32.5	117.5	94			
V3.02.23	V3.02.23	29.5	66.5	90			
V3.02.24	V3.02.24	20.5	117	90			
V3.02.26	V3.02.26	20.5	105	94			
V3.02.27	V3.02.27	20	75	94			
V3.02.29	V3.02.29	20	127	94			



SCREW-ON UNIVERSAL DOUBLE BENT VALVES

TRUCK, BUS AND TRAILER

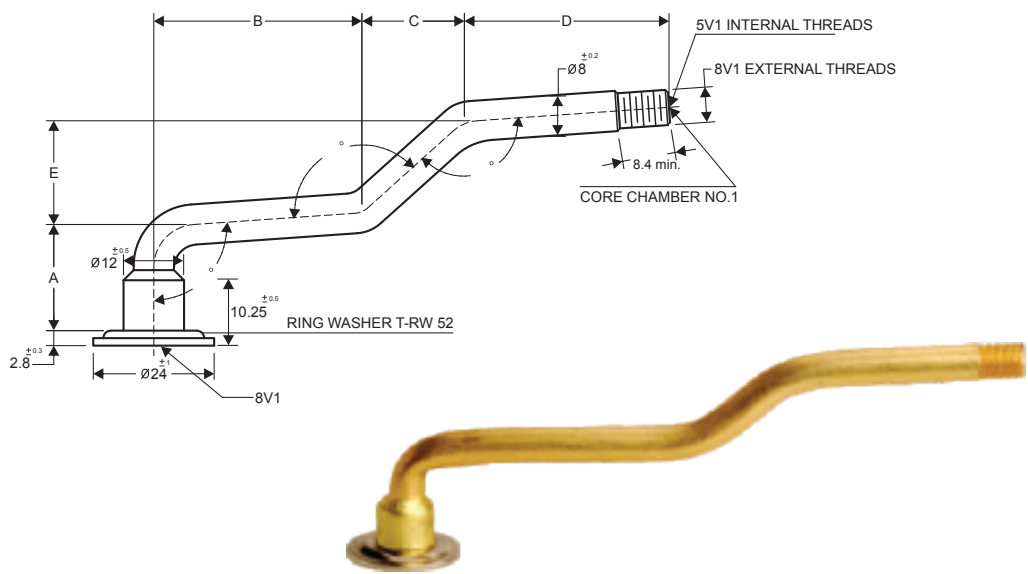


VALVE CODE		A	B	C	°	°	FITS ON	ACCESSORIES TR NO.	
ACCURA	ETRTO						SPUD	CORE	CAP
V3.04.1	V3.04.1	20.5	32	37	90	138	V3.08.2 V3.08.3 V3.08.4	C 1 SHORT	VC 2 VC 3 VC 8
V3.04.2	V3.04.2	20.5	38	41.5	90	153			
V3.04.3	V3.04.3	20	59	38.5	94	163			
V3.04.4	V3.04.4	20	74	40	94	144			
V3.04.5	V3.04.5	20	76	47.5	90	153			
V3.04.6	V3.04.6	20	86	47.5	90	153			
V3.04.7	V3.04.7	20.5	30.5	38	90	154			
V3.04.8	V3.04.8	20.5	38.5	43	90	167			
V3.04.9	V3.04.9	20.5	41	47	90	149			
V3.04.10	V3.04.10	20.5	47	53	90	154			
V3.04.11	V3.04.11	20.5	47	63.5	90	154			
V3.04.12	V3.04.12	20.5	60.5	60.5	90	159			
V3.04.13	V3.04.13	20.5	66.5	67	90	159			
V3.04.14	V3.04.14	20.5	83.5	65	90	159			
V3.04.15	V3.04.15	20.5	42	38.5	90	120			
V3.04.16	V3.04.16	20	38	50	90	160			
V3.04.17	V3.04.17	20	65	45	90	160			
V3.04.18	V3.04.18	20	72	45	90	160			
V3.04.19	V3.04.19	20	80	45	90	160			
V3.04.20	V3.04.20	20	68	47	94	164			
V3.04.21	V3.04.21	20	83	57	94	154			
V3.04.22	V3.04.22	20	28	47	94	164			
V3.04.23	V3.04.23	20	48	47	94	164			
V3.04.24	V3.04.24	20	58	47	94	164			
V3.04.25	V3.04.25	20	80	47	94	164			
V3.04.26	V3.04.26	20	99	42	99	189			



SCREW-ON UNIVERSAL TRIPLE BENT VALVES

TRUCK, BUS AND TRAILER

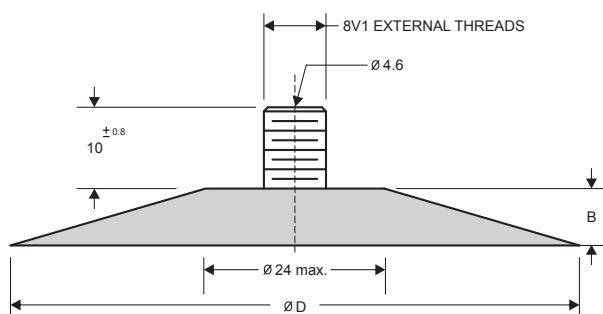


VALVE CODE		A	B	C	D	E	°	°	°	FITS ON	ACCESSORIES TR NO.	
ACCURA	ETRTO									SPUD	CORE	CAP
V3.06.1	V3.06.1	20.5	30.5	19.5	35.5	17	90	139	139	V3.08.2 V3.08.3 V3.08.4	C 1 SHORT	VC 2 VC 3 VC 8
V3.06.2	V3.06.2	20.5	44.5	12	37.5	17	90	125	125			
V3.06.3	V3.06.3	20.5	46	20.5	47.5	17	90	140	140			
V3.06.4	V3.06.4	32.5	46.5	20.5	46.5	17	95	140	140			
V3.06.5	V3.06.5	20.5	62.5	19.5	49	17	90	139	139			
V3.06.6	V3.06.6	20	79.5	19.5	37.5	17	90	139	139			
V3.06.7	V3.06.7	20.5	45.5	18.5	42.5	17	90	137	137			
V3.06.8	V3.06.8	24.5	61.5	14.5	50.5	7.5	94	153	153			
V3.06.9	V3.06.9	20.5	67.5	19.5	54.5	17	90	139	139			
V3.06.12	V3.06.12	23.5	71.5	19.5	25.5	11.5	90	150	150			
V3.06.13	V3.06.13	20	40	13	40	7	94	153	153			
V3.06.14	V3.06.14	20	50	13	40	7	94	153	153			
V3.06.15	V3.06.15	20	60	13	40	7	94	153	153			
V3.06.16	V3.06.16	20	62	13	50	7	94	153	153			
V3.06.17	V3.06.17	20	75	13	50	7	94	153	153			



VALVE SPUD FOR SCREW-ON UNIVERSAL VALVES

TRUCK, BUS AND TRAILER



VALVE CODE		$\overset{+0}{\underset{-2}{\text{Ø D}}}$	$\overset{\pm 0.5}{\text{B}}$	ACCESSORIES ETRTO NO.
ACCURA	ETRTO NO.			RUBBER WASHER
V3.08.2	V3.08.2	70	7	V9.05.1
V3.08.3	V3.08.3	80	8	
V3.08.4	V3.08.4	57	5	

LARGE BORE SCREW-ON TUBE VALVES - ASSEMBLY

SCREW-ON-UNIVERSAL TUBE VALVES
V3.02.SERIES/V3.04 SERIES / V3.06 SERIES



RUBBER WASHER V9-05-1



TUBE SPUD
V3.08.3/V3.08.4/V3.08.5

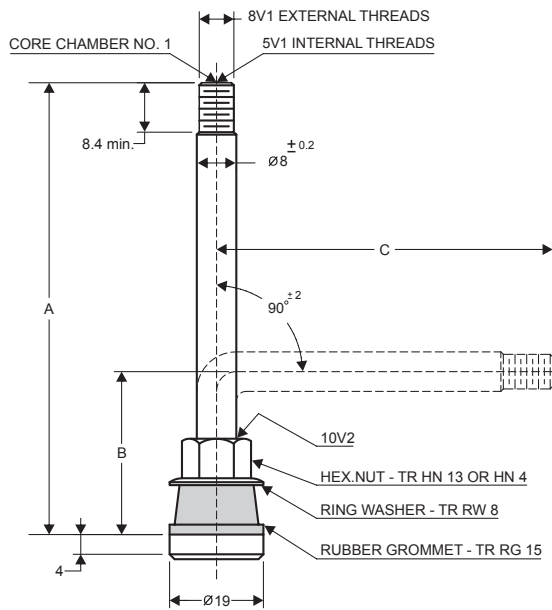




ACCURA VALVES

TUBELESS CLAMP-IN VALVES

TRUCK AND BUS

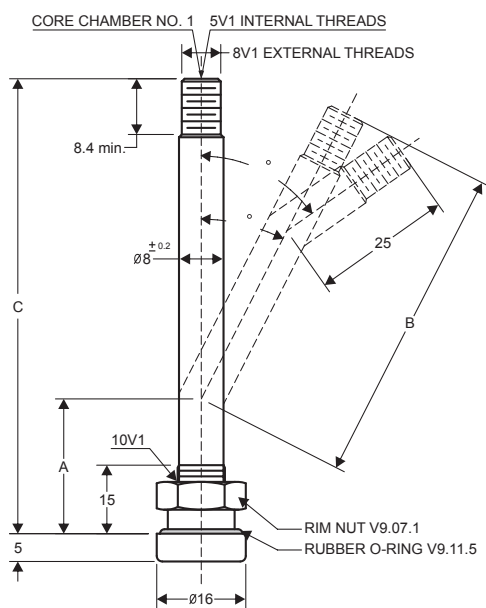


VALVE CODE	A	± 1.5 B	C	RING WASHER	HEX NUT	RUBBER GROMMET	ACCESSORIES TR NO.	
							CORE	CAP
ACCURA								
TR 575	29	-	-	RW 8	HN 4 HN 13	RG 15	C 1 SHORT	VC 2 VC 3 VC 8
TR 501	38	-	-					
TR 500	51	-	-					
TR 570	80	-	-					
TR 571	86	-	-					
TR 572	95	-	-					
TR 573	111	-	-					
TR 574	127	-	-					
TR 570 C	-	33	51					
TR 571 C	-	33	58					
TR 572 C	-	33	67					
TR 573 C	-	33	83					



TUBELESS CLAMP-IN VALVES O RING TYPE ROUND BASE

TRUCK AND BUS

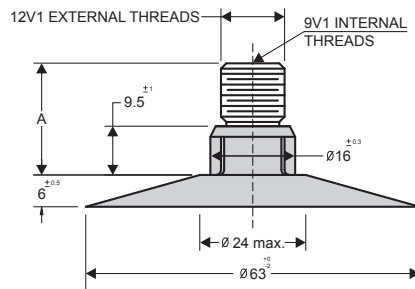


VALVE CODE		A	B	C	°	°	RIM NUT	RUBBER 'O' RING	ACCESSORIES TR NO.	
ACCURA	ETRTO NO.								CORE	CAP
V3.20.1	V3.20.1	-	-	36	-	-	V9.07.2	V9.11.5	C 1 SHORT	VC 2 VC 3 VC 8
V3.20.2	V3.20.2	29	60	90	17° 30'	-				
V3.20.3	V3.20.3	-	-	82	-	-				
V3.20.4	V3.20.4	25	60	-	27°	-				
V3.20.5	V3.20.5	25	36	-	27°	-				
V3.20.6	V3.20.6	25	85	-	27°	-				
V3.20.7	V3.20.7	25	50	-	27°	-				
V3.20.8	V3.20.8	29	85	-	12°	-				
V3.20.9	V3.20.9	45	52	-	12°	-				
V3.20.10	V3.20.10	50	25	-	28°	-				
V3.20.11	V3.20.11	25	45	95	27°	42°				
V3.20.12	V3.20.12	25	70	-	27°	-				



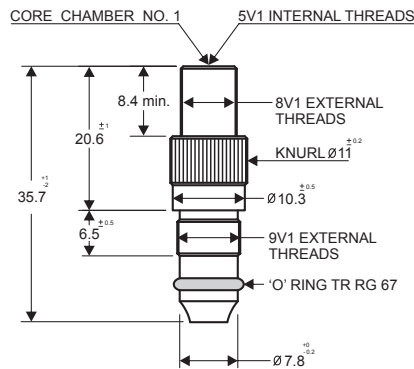
TRACTOR VALVES

RUBBER COVERED AIR - LIQUID VALVES



VALVE CODE			+1 -2 A	ACCEPTS	ACCESSORIES TR NO.
ACCURA	IS	ETRTO		CORE HOUSING	RIM NUT
TR 218 A	B 20 5 63	V4.01.1	20	CH 3	LN 10
TR 220 A	B 30 5 63	V4.01.2	30.2		

CORE HOUSING FOR AIR-LIQUID VALVES - TRACTOR



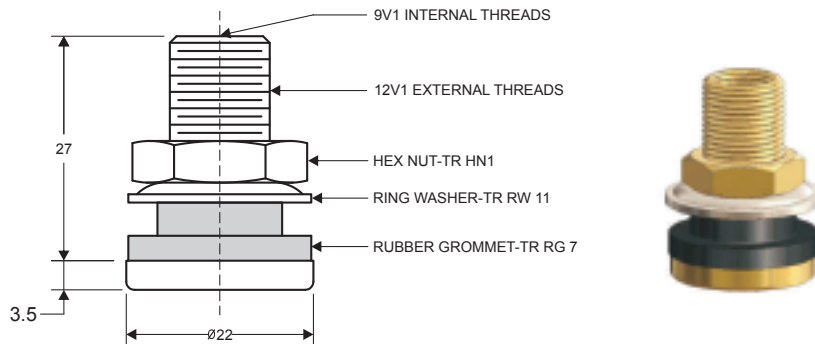
CODE		ACCESSORIES TR NO.	
ACCURA	ETRTO	CORE	CAP
TR CH 3	V4.02.1	C 1 SHORT	VC 2 VC 3 VC 8



ACCURA VALVES

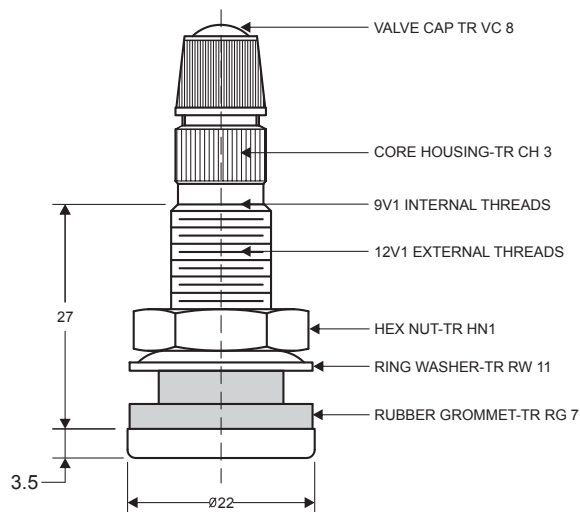
TRACTOR VALVES

TUBELESS CLAMP-IN AIR-WATER VALVES - TRACTOR



CODE		ACCEPTS
ACCURA	TR NO.	CORE HOUSING
TR 618 A	618 A	CH 3

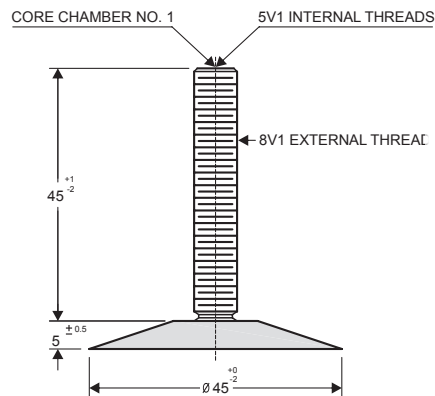
TUBELESS CLAMP-IN AIR-WATER TRACTOR VALVE ASSEMBLY





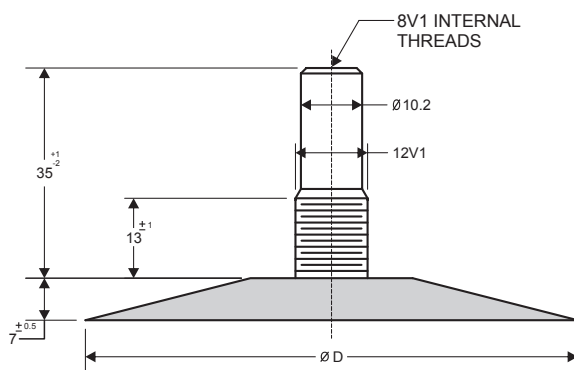
CURING BAG VALVES

RUBBER BASE SCOOTER CURING BAG VALVE



VALVE CODE	ACCESSORIES -TR NO.	
ACCURA	CORE	LOCK NUT
AV 45 45	C 1 SHORT	LN 3

RUBBER BASE PASSENGER CURING BAG VALVE

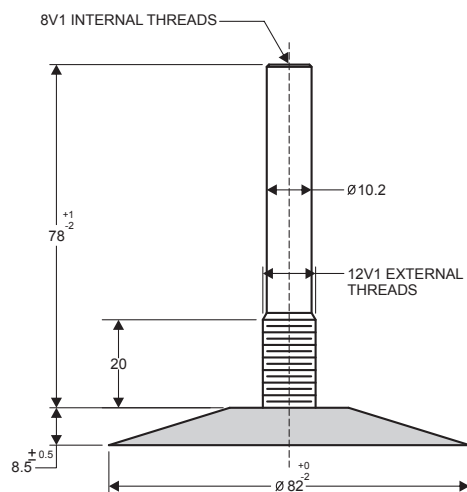


VALVE CODE	$\overset{+0}{-2}$ ØD	ACCEPTS	ACCESSORIES TR NO.	
ACCURA		ADAPTER	RING WASHER	HEX NUT
AV 82 35	82	CBA - 1	RW 3	HN 1
AV 70 35	70			



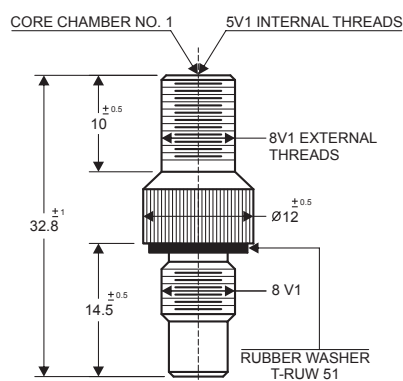
CURING BAG VALVES & ADAPTOR

RUBBER BASE CURING BAG VALVES



VALVE CODE	ACCEPTS	ACCESSORIES TR NO.	
ACCURA	ADAPTOR	RING WASHER	HEX NUT
AV 82 78	CBA-1	RW3	HN1

CURING BAG VALVES ADAPTOR



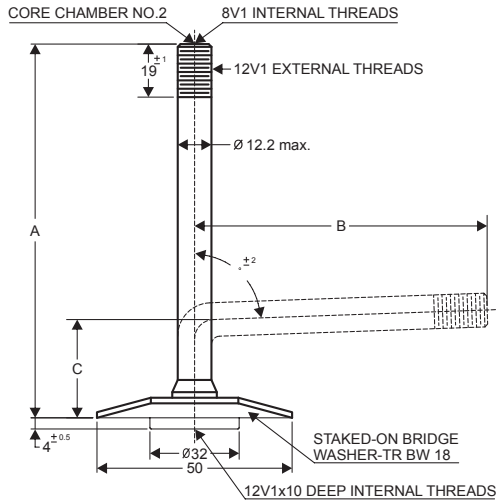
CODE	ACCESSORIES -TR NO.	
ACCURA	CORE	LOCK NUT
CBA 1	C 1 SHORT	VC 2 VC 3 VC 8



ACCURA VALVES

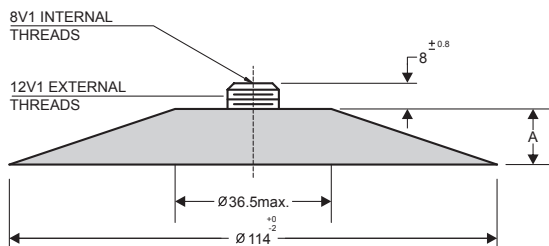
OTR VALVES

LARGE BORE SCREW-ON TUBE VALVES - OTR



VALVE CODE		A	B	± 1.5 C	± 2	FITS ON	ACCESSORIES TR NO.	
ACCURA	IS					SPUD	CORE	CAP
TR J 1175 A	E D4 6 32	134	-	-	-	TR SP 1000 (13)-M	C 2 SHORT	VC 6
TR J 1175 C	E D4 6 32 SB	-	105	35	88°	TR SP 1000 (9.5)-M	C 2 LONG	VC 7 VC 9

VALVE SPUD FOR LARGE BORE SCREW-ON TUBE VALVES - OTR



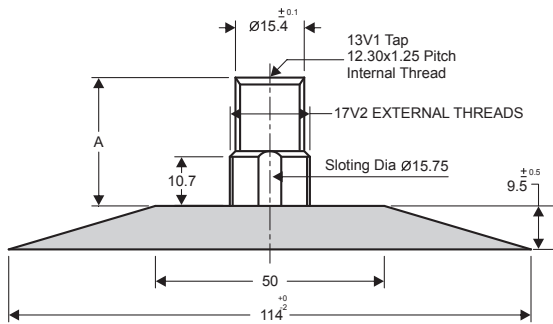
VALVE CODE		± 0.5 A
ACCURA	IS	
TR SP 1000 (13)	L 08 6 B4 (13)	13
TR SP 1000 (9.5)	L 08 6 B4 (9.5)	9.5



ACCURA VALVES

OTR VALVES

SP 4000 SPUD



LARGE BORE SCREW-ON TUBE VALVES-ASSEMBLY (TR SP 4000 SPUD AND TRJ 650 VALVE)



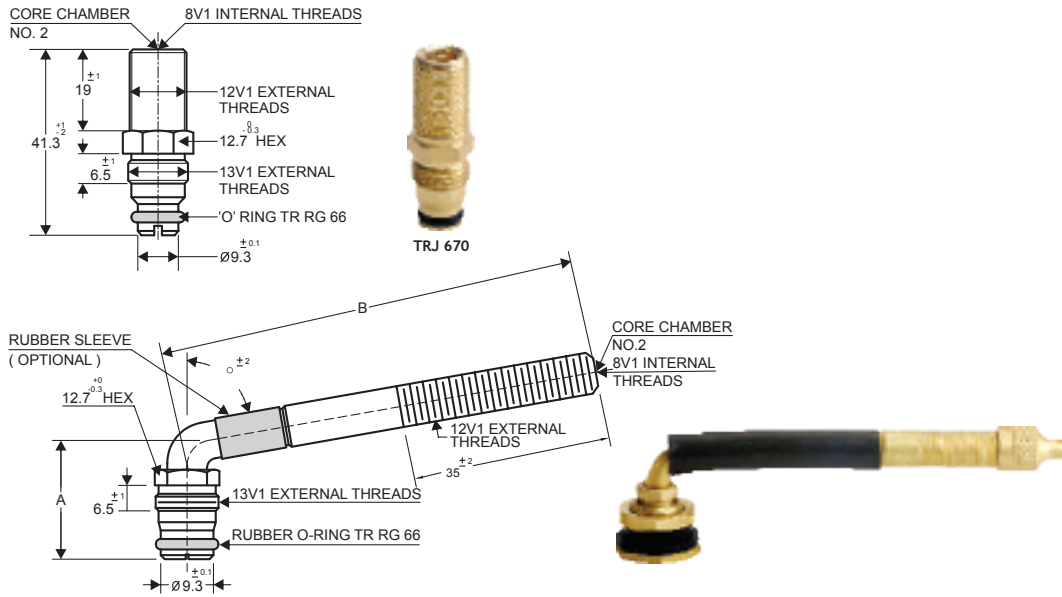
VALVE CODE		+1 -2 A
ACCURA	IS	
TR SP 4000 (9.5)	M 08 6 B4 (9.5)	28



ACCURA VALVES

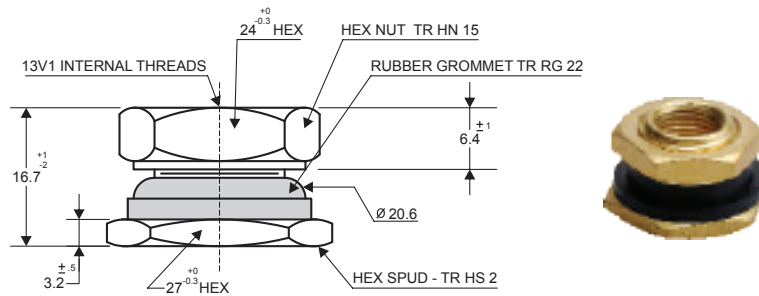
OTR VALVES

LARGE BORE STRAIGHT / SINGLE BENT SWIVEL TYPE VALVES - OTR



VALVE CODE			± 1.5 A	± 4 B	± 2	ACCEPTS	ACCESSORIES TR NO.		
ACCURA	IS	ETRTO				SPUD	CORE	CAP	HEX NUT
TR J 650	R 79 6 09 SB	V5.04.1	27.5	79.4	80°	SP 2	C 2 SHORT C 2 LONG	VC 6 VC 7 VC 9	HN 1 (2NOS)
TR J 651	R B9 6 09 SB	V5.04.2	32	119	90°				
TR J 670	R 41 6 09	V5.03.1	-	-	-				

LARGE BORE TUBELESS CLAMP-IN-SPUD - OTR



CODE			ACCESSORIES - TR CODE		
ACCURA	IS	ETRTO	HEX SPUD	HEX NUT	RUBBER GROMMET
TR SP 2	S 17 7 27	V5.10.1	HS 2	HN 15	RG 22



OTR VALVES

LARGE BORE SWIVEL TYPE VALVE STEMS

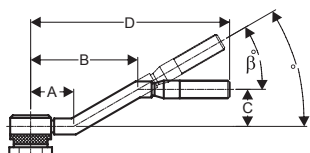


VALVE CODE			ACCESSORIES TR NO.				
ACCURA	TR NO.	LENGTH	ACCEPTS	O RING	NUT	CORE	CAP
TR J 4000-2.50	TR J 4000-2.50	64	TRSP 2 TRSP-4000	TRRG 66	TRNH 1	TRC 2	TRVC 7
TR J 4000-4	TR J 4000-4	102					
TR J 4000-4.50	TR J 4000-4.50	114					
TR J 4000-6	TR J 4000-6	152					
TR J 4000-7.50	TR J 4000-7.50	191					
TR J 4000-8	TR J 4000-8	203					
TR J 4000-8.50	TR J 4000-8.50	216					
TR J 4000-9	TR J 4000-9	229					
TR J 4000-10	TR J 4000-10	254					
TR J 4000-20	TR J 4000-20	508					
TR J 4000-24	TR J 4000-24	610					
TR J 4000-25.50	TR J 4000-25.50	648					
TR J 4000-28	TR J 4000-28	711					
TR J 4000-29.50	TR J 4000-29.50	749					

Various length other than above specifications available upon request for length over 6"/152mm, 2 lock nuts TRNH1 are fitted.

LARGE BORE TURRET TYPE VALVES

Recommended torque at installation : 20-23 Nm



TRJ 671
Screw-in type valve with
1/4" male pipe thread



TRLS 7 Lock Screw
ETRTO : V5.13.1



TRCH 16
Core housing, with double O-ring to resist corrosion
from calcium chloride solution.

PART NO	TRCH 16
O-RING	BLRG 35 / BLRG 36
CORE	TRC 1-HT
CAPS	TRVC 3

ACCURA	TR NO.	ETRTO	A ^{±1.5}	B ^{±2}	C ^{±1}	D ^{±4}	a ^{±27}	β ^{±27}
TRJ 691	TRJ 691	V5.09.1	16	-	-	84	18	-
TRJ 694	TRJ 694	-	20	-	-	89	28	-
TRJ 690	TRJ 690	V5.05.1	32	59	14	119	28	28
TRJ 692	TRJ 692	-	32	59	14	119	28	18
TRJ 693	TRJ 693	-	22	43	21	127	45	45
TRJ 695	TRJ 695	-	21	42	25	105	50	50
TRJ 696	TRJ 696	-	27	52	23	108	42	42

RIM HOLE	GROMMET	NUT	CORE	CAP
20.5	TRRG 16	TRLS 7	TRC 2	TRVC 7



TRCH 8
Core housing for
large bore valve.

PART NO	TRCH 8
O-RING	BLRG 35
CORE	TRC 2
CAPS	TRVC 7



ACCURA VALVES

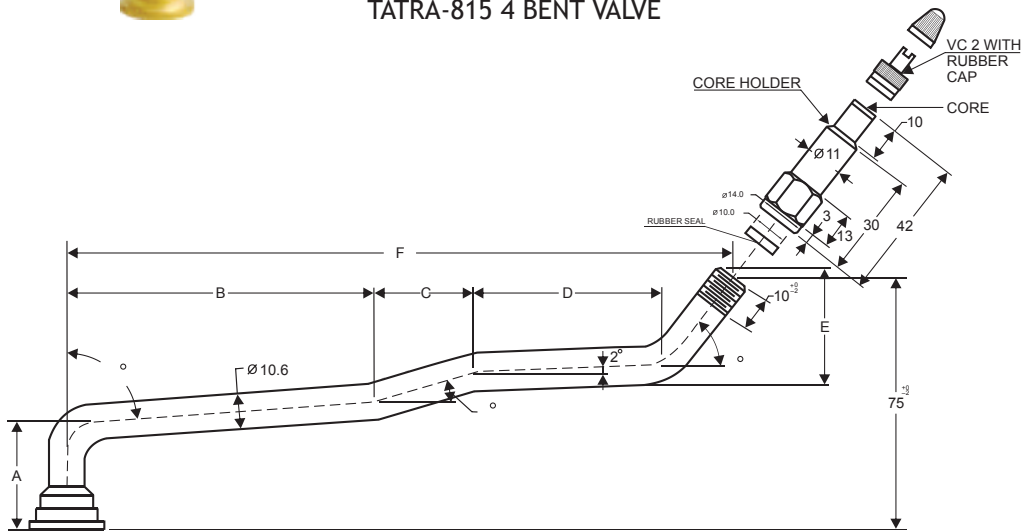
KOLOS VALVES



V.550 - 2 BENT VALVE



TATRA-815 4 BENT VALVE

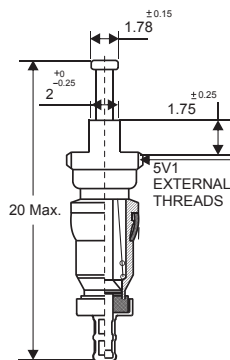


TYPE	A	B	C	D	E	F	°	°	°
TATRA-815 4 BENT	31^{+2}_{-0}	$90^{\pm 2}$	$29^{\pm 2}$	56^{+2}	$32.5^{+0}_{-0.5}$	$195^{\pm 3}$	86^{+2}_{-0}	17^{+2}_{-0}	52^{+0}_{-2}
V.550 2 BENT	30^{+2}_{-0}	$97.5^{\pm 4}$	$81^{\pm 4}$	-	-	-	92^{+2}_{-0}	20^{+2}_{-0}	-

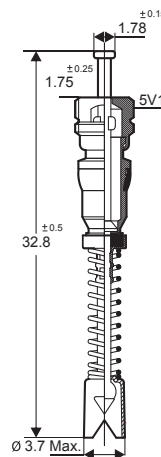
VALVE CORE - STANDARD BORE

STANDARD BORE VALVE CORES - (INSIDE SPRING)

TR C 1 SHORT



TR C 1 LONG

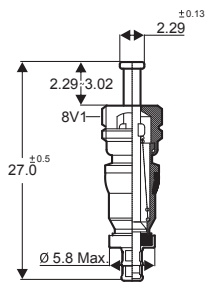


RECOMMENDED TORQUE AT INSTALLATION 0.23-0.56 Nm

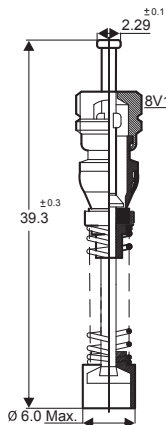
CODE	
ACCURA	TR NO.
TR C 1 SHORT	C 1 SHORT
TR C 1 LONG	C 1 LONG
INSIDE SPRING TYPE	

LARGE BORE VALVE CORES - (INSIDE SPRING)

TR C 2 SHORT



TR C 2 LONG



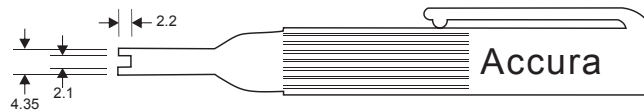
RECOMMENDED TORQUE AT INSTALLATION 0.34-0.56 Nm

CODE	
ACCURA	TR NO.
TR C 2 SHORT	C 2 SHORT
TR C 2 LONG	C 2 LONG
INSIDE SPRING TYPE	



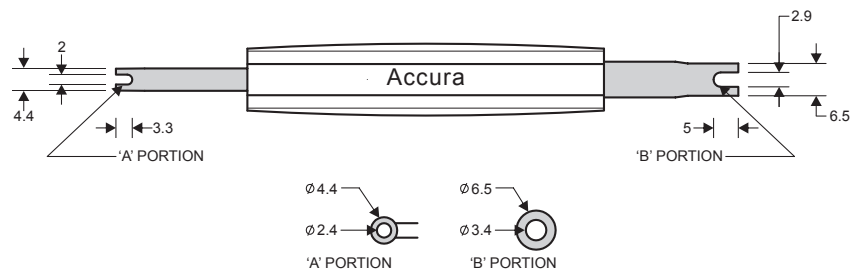
VALVE CORE - TIGHTENERS

VALVE CORE TIGHTENERS FOR STANDARD BORE



CODE
ACCURA
AVCT - 1

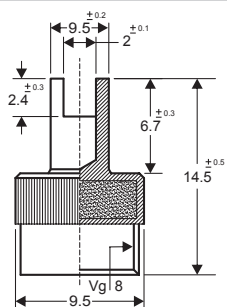
VALVE CORE TIGHTENERS FOR LARGE BORE



CODE
ACCURA
AVCT - 2

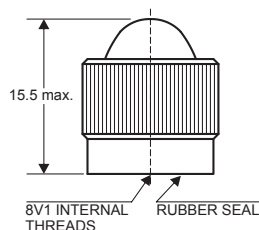
VALVE CAPS - STANDARD BORE

METAL CAP WITH SCREW DRIVER TOP



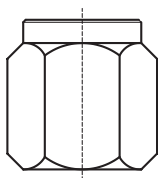
CODE	
ACCURA	IS
T - VC 2	TYPE A

METAL CAP - DOME TYPE



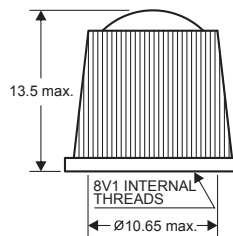
CODE	
ACCURA	IS
TR VC 3	TYPE B

HEXAGONAL METAL CAP



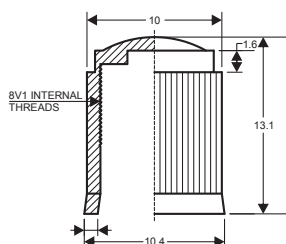
CODE	
ACCURA	
T - VC 5	

PLASTIC VALVE CAP



CODE	
ACCURA	IS
TR- VC 8	TYPE C

TUBELESS VALVE CAP



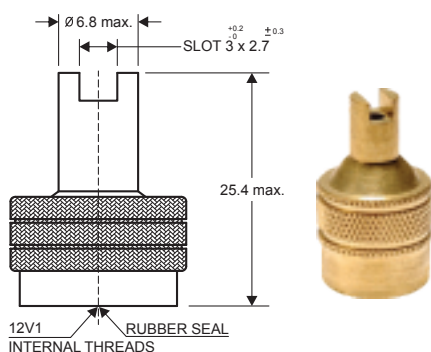
CODE	
ACCURA	IS
TR- VC 8 TUBELESS	TYPE C





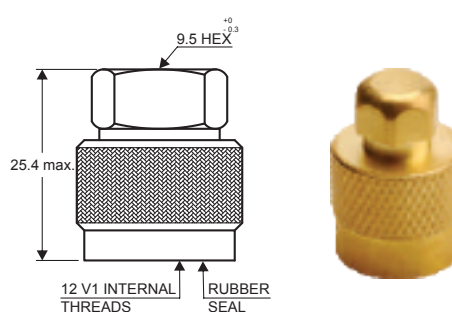
VALVE CAPS - LARGE BORE

METAL CAP WITH SCREW DRIVER TOP



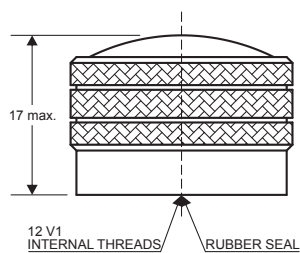
CODE	
ACCURA	TR NO.
TR VC 6	VC 6

METAL HEXAGONAL CAP



CODE	
ACCURA	TR NO.
TR VC 7	VC 7

METAL CAP - DOME TYPE

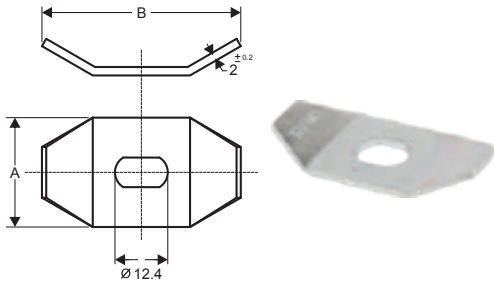


CODE	
ACCURA	TR NO.
TR VC 9	VC 9

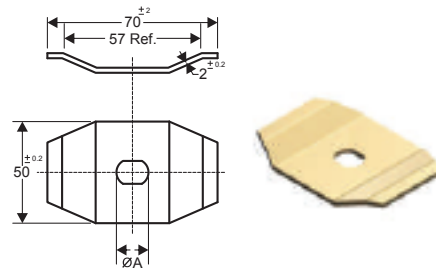


ACCURA VALVES

BRIDGE WASHERS & O RINGS



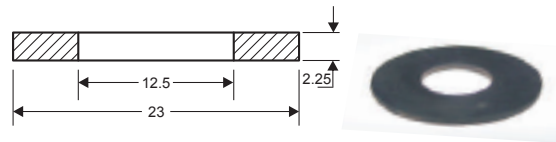
CODE		A	B
ACCURA	TR NO.		
TR BW1	BW 1	24	47
TR BW 2	BW 2	28.5	54
TR BW 3	BW 3	33	57



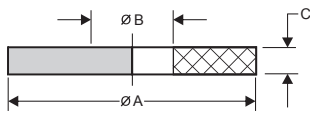
CODE		Ø A
ACCURA	TR NO.	
TR BW 4	BW 4	12.40
TR BW 18	BW 18	17.80

RUBBER WASHERS AND O RINGS

TR 1175 RUBBER WASHER

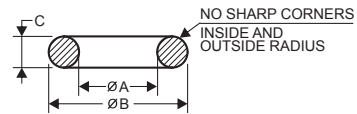


V3 SERIES - RUBBER WASHERS



CODE		Ø A	Ø B	Ø C
ACCURA	ETRTO			
V9.05.1	V9.05.1	24	8	2.5
TRUW-55	-	32	12.3	2

O RINGS

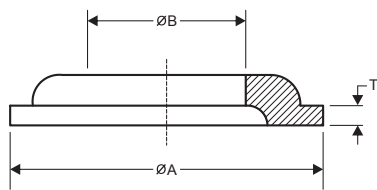


CODE	Ø A	Ø B	C
	^{+0.2} / _{-0.0}	± 0.1	± 0.1
TR NO.			
TR RG 60	8.9	12.7	1.9
TR RG 66	6	9.6	1.8
TR RG 67	4.4	8	1.8

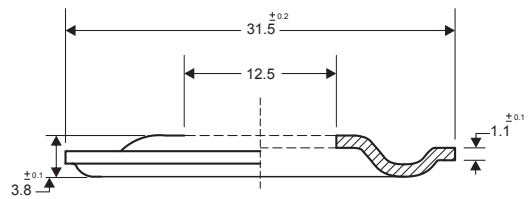


ACCURA VALVES

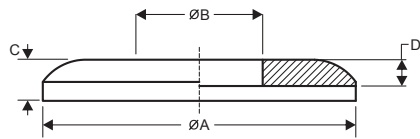
RING WASHERS



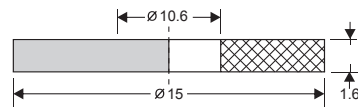
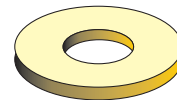
CODE	ØA	ØB	T ^{±0.2}
ACCURA			
TR RW 3	27	12.4	1.4
TR RW 11	17	12.4	1.6
TR RW 12	16	8	1.2
T- RW 52	24	10.8	1.6



CODE	
ACCURA	TR NO.
YD 1 WASHER	YD 1 WASHER



CODE	ØA	ØB	C ^{±0.2}	D ^{±0.2}
ACCURA				
TR RW 8	19	10.5	2.5	1.4
TR RW 13	19	10.5	1.5	1.4

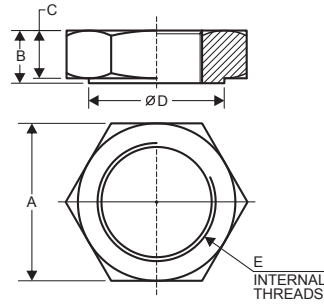
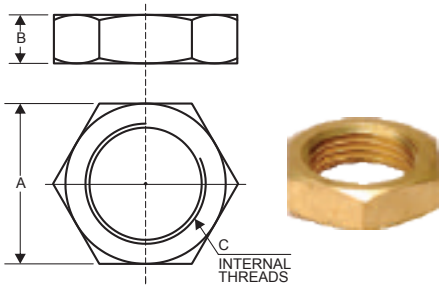


CODE	
ACCURA	TR NO.
TR RW 15	V9.06.2



ACCURA VALVES

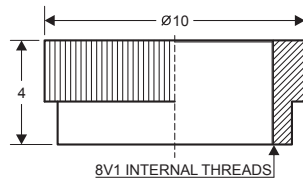
HEX NUTS & RIM NUTS



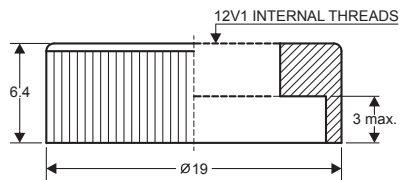
CODE	A	B	C
ACCURA			
TR HN 1	16	5	12 V1
TR HN 4	14	5	10 V2
TR HN 13	14	8	10 V2
BN 1	12	4	8 V1
TR LN 3	10.3	3.2	8 V1

CODE		A	B	C	D	E
ACCURA	ETRTO					
TR HN 14	-	25.4	4.8	4	24	17 V2
TR HN 15	V9.09.1	24	6.4	4.8	20.3	17 V3
TR HN 22	-	16	10.2	5.2	15.5	9 V1

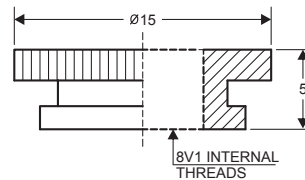
RIM NUTS



CODE
AV 63



CODE	
ACCURA	TR NO.
TR LN 10	LN 10



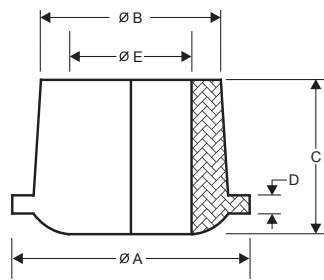
CODE
ACCURA
252



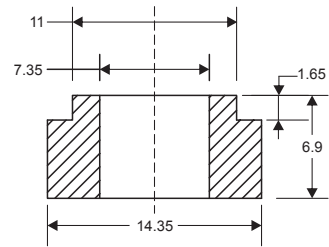
ACCURA VALVES

RUBBER GROMMETS & NUTS

RUBBER GROMMETS



MOTORCYCLE RUBBER BUSH

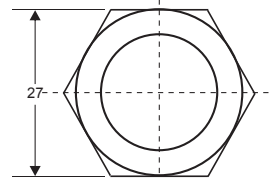
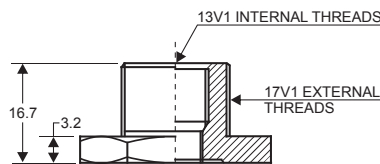


CODE		ØA	ØB	C	D	ØE
TR NO	JATMA					
TR RG 7	-	22.4	16	8.65	3.2	11.9
TR RG 22	-	25.4	20.6	6.4	2.3	17
TR RG 39	-	18	16	8	2.3	10
-	JS G 31	14	10	5	4	7



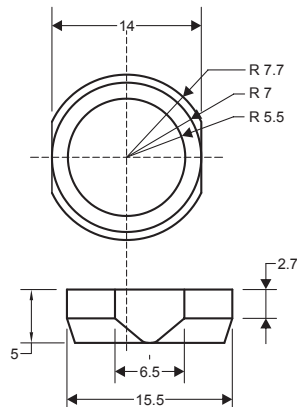
NUTS

TR HS NUT



CODE
ACCURA
TR HS 2

AV 12V1 NUT



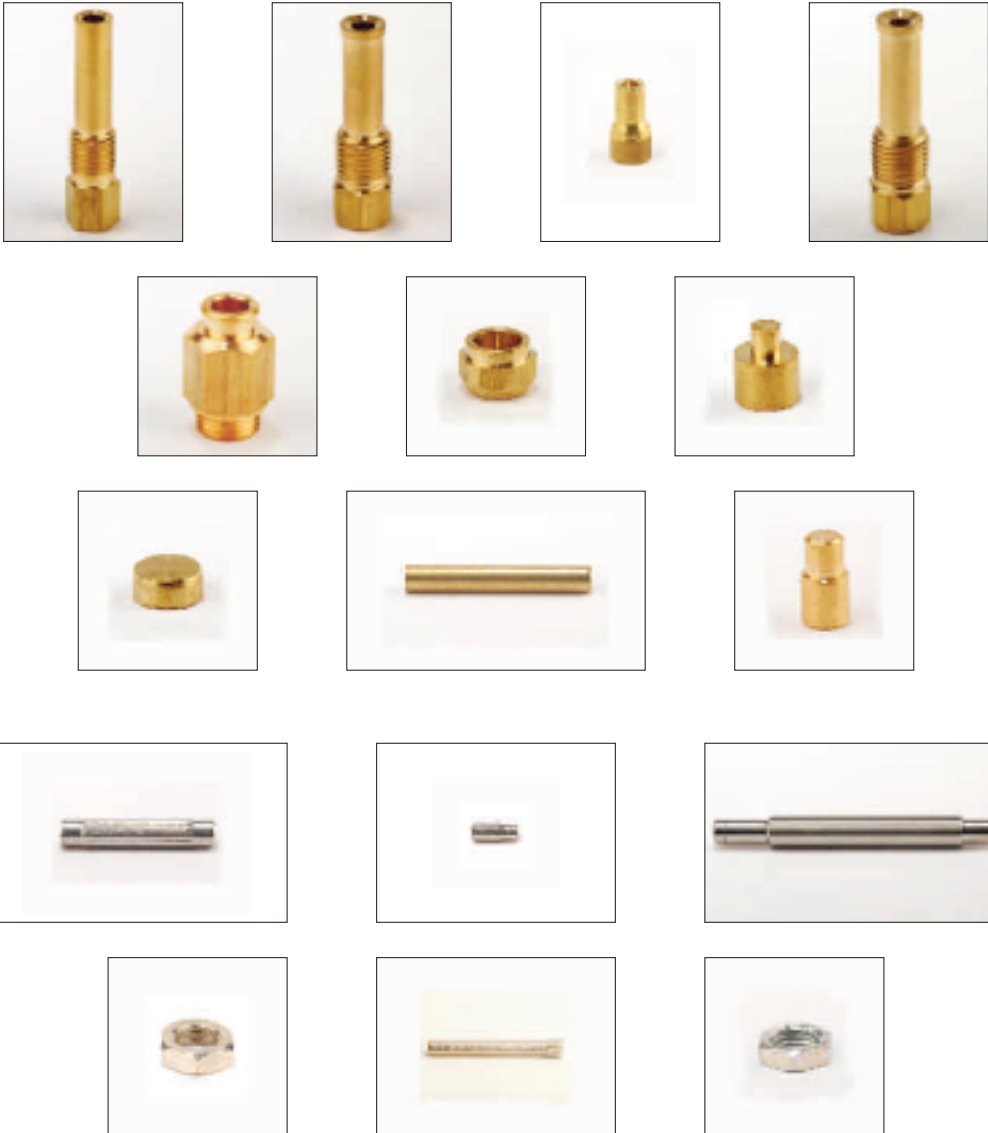


PRECISION TURNED COMPONENTS

BRASS / STEEL

We offer a wide array of the finest quality Turning Components. These precision engineered Turning Components are manufactured with the most advanced technologies using high grade raw materials. In all the stages of manufacturing these products, our experts stringently check on various required parameters to ensure that they are impeccable and comply with the international standard. In addition we also offer customization as per the drawing and specifications provided by our valued clients' requirements at reasonable rates.

Rod diameter Max. - 12 mm, Min. - 2.0 mm
Total length Max. - 60 mm, Min. - 2.0 mm
Accuracy - 20 microns
Production Capacity - 25 lacs component per month





VALVE ACCESSORIES



METAL VALVE EXTENTION



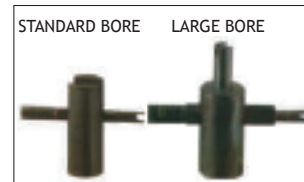
TANK VALVE



AIR CHUCK-AV193



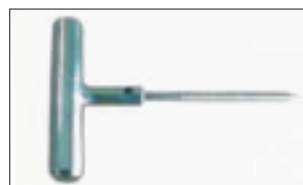
BALL FOOT AIR CHUCK-AV192



4-WAY VALVE TOOL



VALVE MOUNTING TOOL-VT04P



PROBES TOOL-TRT75PR



INSERT TOOL-TRT50NR
INSERT TOOL-TRT75NR

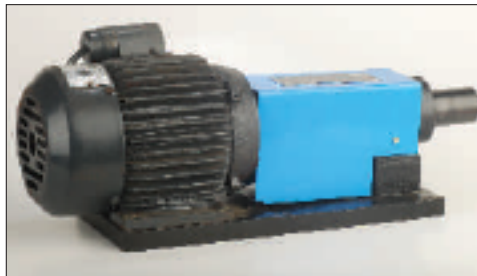


TUBELESS TYRE
PUNCTURE REPAIR STRINGS



ACCURA VALVES

VALVE ACCESSORIES



AUTO CORE FIXING MACHINE



VALVE BENDING TOOL
SCOOTER



VALVE BENDING TOOL
TRUCK



ACCURA VALVES

ACCURA VALVES PVT. LTD.

AN IATF 16949 : 2016 COMPANY

India's leading manufacturer of tyre valves,
valve cores and accessories.

Established in 1995 at Sinnar, Nashik District, we now have three dedicated facilities that cater to the world market. Our team consists of over 300 dedicated personnel that have excellent engineering and manufacturing skills that can cater to most specific customer requirements.



Vulcanising Plant

This production facility processes 400 000 valves a day.



Truck Valve Plant

Dedicated facility for manufacturing Truck Valves.



Turned Components Plant

Dedicated facility for manufacturing Precision Turned Components.

OUR TEAM



The story of Accura Valves goes beyond being just a company; it stands as a tribute to the resilience of Mr. Sanjeev Sadhale and his team. Their remarkable ability to adapt, learn, and turn challenges into opportunities is at the heart of this narrative. Sprouting from a small seed planted in the '90s, Accura Valves has matured into a robust oak, casting a shadow of excellence across India's automotive sector.

FACTORY : 19-25 & A 97-98, STICE, Musalgaon, Sinnar 422112, Dist. Nashik, Maharashtra, India
Tel: +91 2551240291 / +91 2551240037

HEAD OFFICE : 1408, Dev Corpora, Off. Eastern Express Highway, Khopat, Thane (W) 400601, Maharashtra, India
Tel: +91 2225409942

accuravalves.com